



**PRODUCT CATALOGUE**

**2023**

**REDUCE >> REUSE >> RECYCLE**

# MB CRUSHER: ADVANCED, VERSATILE, TOUGH.

For over 20 years **MB CRUSHER** has been designing **and manufacturing** attachments for heavy equipment regardless of size. Perseverance and resilience led the company to invent the first jaw crusher for excavators.

Investing in technology research contributed to the development of MB's products that can be installed on any carrier machine, turning them into real mobile crushers while improving the machine's performance and allowing companies to use the resources available in their job sites.

**MB CRUSHER** has evolved over the years and has become the **benchmark for the construction equipment industry around the world** today.

With a full range of products to give companies the solutions that they are looking for.



# MB CRUSHER HAS SOLUTIONS FOR EVERY CARRIER MACHINE

Crushers, screening buckets, shafts screeners, drum cutters, sorting grapples.

**MB CRUSHER** provides entrepreneurs with the widest range of attachments capable of **making construction sites** of any size, **independent and competitive** regardless of the job's nature and scope of action.

All of MB CRUSHER's equipment was designed to solve **all kinds of obstacles**, even the most extreme. From skid steers, backhoes, telehandlers, mini and midi excavators, from 1,3 ton machines to excavators weighing 70 ton; **there will be a suitable MB CRUSHER unit.**

Installation is straightforward and quick, whether it's for the larger machines in the MB range or the small ones.

# PRODUCTS GUARANTEED AND CERTIFIED QUALITY

Guaranteeing a safe product, that is compliant with international regulations is essential for everyone at MB CRUSHER. All aspects (from assembly to the finished product) are constantly certified, to meet the markets' needs and to **guarantee** the customer receives a product that **is accredited for its good quality.**

# 100% MADE IN ITALY

MB Crusher is an **Italian company** with a worldwide presence. All of the equipment's production phases take place at the headquarters in Fara Vicentino, Italy.

More than 45.000 square meters host research and development laboratories, production departments, sales, marketing and administrative offices. Here, every piece of equipment is designed, assembled and distributed to international markets by more than **200 people.** Brazil, China, France, Germany, Japan, India, Russia and United States.

There are 9 subsidiaries abroad that support the headquarters to promote and distribute the products to all continents. And a network of over 230 dealers helps sell MB Crusher's products to **over 150 countries.**



Learn more

## PRODUCT CERTIFICATIONS

2006/42/CE	2014/68/UE
Machinery directive	PED directive

EN 12100:2010  
Safety in machinery design

## QUALITY CERTIFICATION

ISO 9001:2015  
Quality Management Systems

## PROCESS CERTIFICATIONS

UNI EN ISO 9606-1:2017  
UNI EN ISO 14732:2013  
UNI EN ISO 15614-1: 2008  
Organization with qualified welding processes and personnel

# WITH MB CRUSHER

# YOU CRUSH EVEN TIME.

ONE ATTACHMENT TO WORK  
FASTER AND SAVE MONEY.



WATCH THE VIDEO

With  
**MB**

**8**  
MINUTES

It is how long  
it takes **FOR**  
**MB CRUSHER**  
to process the  
material.

**1**  
ATTACHMENT

This is why MB  
CRUSHER's  
units are used  
on many job  
sites around the  
world. Because  
it **replaces 3**  
**machines** with  
just **one unit**.



The jobsite  
becomes  
**environment-  
friendly**:  
-less CO<sub>2</sub>  
-no landfill  
disposals  
-reduce pollution  
emissions  
from vehicles  
transporting  
**material**.

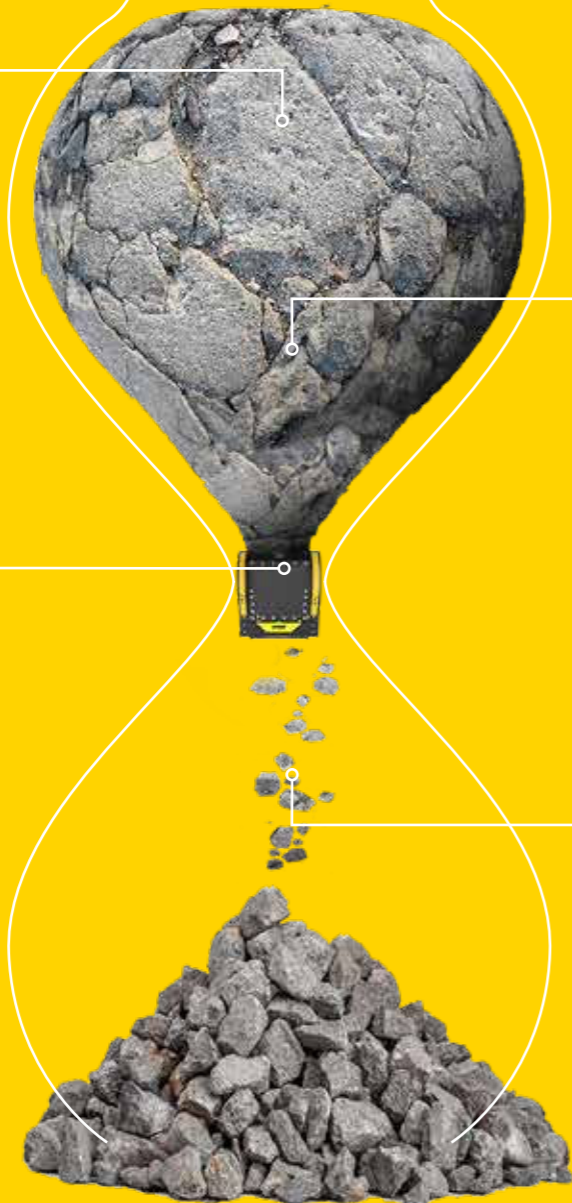
Without  
**MB**

**240**  
MINUTES

is the average  
time to process  
9 tons of material  
**WITHOUT** MB  
CRUSHER.

**3**  
VEHICLES  
INVOLVED

3 are the  
machines involved  
to collect,  
transport and  
process materials  
**WITHOUT** MB  
CRUSHER.



## BEFORE/AFTER

### MB CRUSHER'S IMPACT ON DIFFERENT MATERIALS



MB CRUSHER units transform waste directly  
on the job site and allow you to independent  
recover and recycle material.

#### BUILDING OR CONSTRUCTION MATERIALS

Demolition waste  
Excavated soil  
Asphalt  
Reinforced concrete  
Bricks

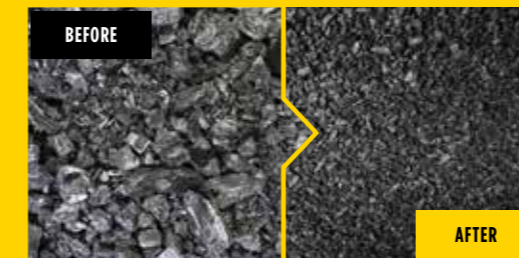


#### ROCKS

Coal  
Porphyry  
Limestone  
Granite  
Basalt  
Marble  
River Stone  
Calcium carbonate-  
gypsum

#### ORGANIC MATERIALS

Foliage  
Sand and soil



#### FOUNDRY WASTE AND METALS

Casting mold waste  
and slag  
Foundry sand  
Copper slag  
Iron  
Steel and aluminium  
slag

#### WASTE

Garbage  
Nylon and plastic  
Bituminous waste  
Glass  
Ceramics



#### POLES AND COLUMNS

Concrete slabs  
Concrete pipes  
Gratings  
Vineyard poles  
Light poles  
Railway sleepers

DON'T SEE YOUR MATERIAL?

**CONTACT US**



# MB CRUSHER BUCKETS



FOR EXCAVATORS,  
BACKHOES, LOADERS  
AND SKID STEERS

4,5 - 100 ton

FIND OUT MORE



## REDUCED VIBRATION

Control devices reduce vibration on the arm of the carrier machine.



## HYDRAULIC PROTECTION

The latest hydraulic system extends and protects the life of the excavator.



## LOW NOISE

The frame is designed to minimize noise and vibration while crushing.



## GUARANTEED OUTPUT SIZE

Regular output size is guaranteed even with worn out jaws.



## EASY MAINTENANCE

Quick and easy maintenance: no oil change required.



## WIDE MOUTH OPENING

Widest crusher mouth opening per weight of the equipment, available on the market.



## OPTIMAL DESIGN

Designed to pick up and process material with ease while guaranteeing quality and increased production rates.

The patented jaw crushers turn any carrier into a real mobile crusher. MB CRUSHER's range of crusher buckets is the largest in the world with **over 90% world's market share.**

## AREAS OF APPLICATION



DEMOLITIONS



ROAD WORKS



QUARRIES



MINES



TUNNELS



ENCLOSED SPACES



PIPELINES



RECYCLING AGGREGATES



URBAN CONSTRUCTION SITES



FOUNDRIES



FOREST MAINTENANCE

# MB CRUSHER BUCKETS



FOR EXCAVATORS  
AND BACKHOE  
LOADERS

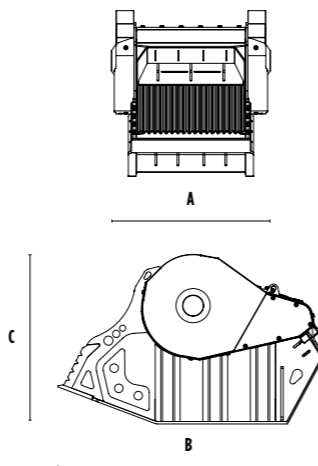
6,5 - 100 ton

FIND OUT MORE

Installed on heavy equipment, MB's jaw crushers transform waste into ready-to-use material in a single crushing phase. They are versatile and high-performing machines, created to meet the needs to crush materials in quarries, landfills, urban and non-urban construction sites regardless of the location's size.



## DIMENSIONS



## MODELS



	UNITS	MB-C50 S4	BF60.1 S4	BF70.2 S4	BF80.3 S4	BF90.3 S4	BF120.4 S4	BF135.8	BF150.10
Recommended excavator	ton	6,5 - 10	10 - 18	16 - 25	18,5 - 29	21 - 32	30 - 45	43 - 80	70 - 100
Recommended backhoe loader	ton	8 - 9*	-	-	-	-	-	-	-
Weight	ton	0,75	1,65	2,30	3,00	3,50	4,80	7,50	11,50
Load capacity	m³	0,15	0,55	0,65	0,70	0,90	1,30	1,80	2,30
Pressure	bar	200 - 250	220 - 280	220 - 280	220 - 280	220 - 280	220 - 280	230 - 280	230 - 280
Back pressure	bar	< 10	< 10	< 10	< 10	< 10	< 10	< 10	< 10
Oil flow rate**	l/min	90 - 120	120 - 150	150 - 220	150 - 220	180 - 220	190 - 250	320 - 380	380 - 430
Mouth width	mm	590	610	750	880	910	1205	1300	1450
Mouth height	mm	280	500	510	510	540	540	600	700
Size A	mm	1000	1000	1150	1330	1340	1620	1880	2130
Size B	mm	1240	1745	2000	1970	2185	2185	3000	3600
Size C	mm	770	1100	1200	1325	1390	1390	1700	2170
<b>PRODUCTIVITY</b>									
15 mm	m³/h	4	7	9	10	12	15	-	-
20 mm	m³/h	4,8	7,7	10	11	13,2	16,4	-	-
30 mm	m³/h	6,3	9	12	13	15,5	19,2	-	-
40 mm	m³/h	7,8	10,4	14	15	17,8	22	38,7	-
50 mm	m³/h	9,3	11,7	16	17	20	24,8	43,2	-
60 mm	m³/h	10	13	18	19	22,5	27,6	47,6	-
70 mm	m³/h	-	14,4	20	21	24,8	30,4	52,2	-
80 mm	m³/h	-	15,8	22	23	27,2	33	56,6	-
90 mm	m³/h	-	17,1	24	25	29,5	36	61,1	-
100 mm	m³/h	-	18,5	26	27	31,8	38,8	65,6	-
110 mm	m³/h	-	19,8	28	29	34,2	41,6	70,1	73,1
120 mm	m³/h	-	21	30	31	36,5	44,4	74,5	76,6
130 mm	m³/h	-	23	31	33	38,8	47,2	79,1	82,5
135 mm	m³/h	-	-	-	34	41	48,6	81,3	84,1
140 mm	m³/h	-	-	-	-	42	50	83,5	87,6
145 mm	m³/h	-	-	-	-	-	53	85,7	91,1
150 mm	m³/h	-	-	-	-	-	-	88	95
200 mm	m³/h	-	-	-	-	-	-	-	120

## ACCESSORIES

24 MONTH WARRANTY



OUR METER



IRON SEPARATOR



DUST SUPPRESSION KIT



CRUSHING OUTPUT ADJUSTMENT

\* Rear.  
\*\* The minimum hydraulic flow rate value must be alongside the required operating pressure.

To obtain the values in ton/h, multiply the data listed in the table by the specific weight of your material. These values are indicative only, estimated with materials of medium load capacity.

# MB CRUSHER BUCKETS



FOR EXCAVATORS,  
BACKHOES, LOADERS  
AND SKID STEERS

4,5 - 17 ton

FIND OUT MORE



Mounted on loaders, skid steers, backhoe loaders, mini-excavators and excavators they crush any type of inert material. Despite their compact size, they offer high productivity standards while maintaining the unique performance characteristics that MB CRUSHER buckets have. They provide solutions for any needs that arise in small construction sites and particularly tight spaces.



## ACCESSORIES

24 MONTH WARRANTY



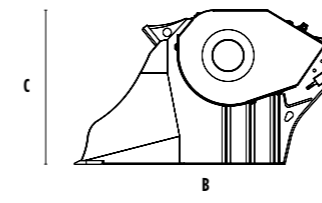
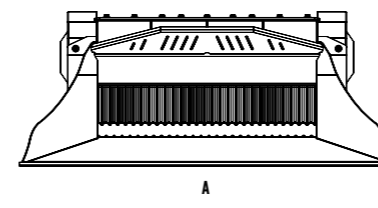
HOUR METER



DUST SUPPRESSION KIT



## DIMENSIONS



## MODELS

	UNITS	MB-L120 S2	MB-L140 S2	MB-L160 S2	MB-L200 S2
Recommended excavator	ton	7,5 - 12	7,5 - 13	11 - 16	12 - 17
Recommended backhoe loader/Loader*	ton	5 - 9	5 - 10	7 - 11	7 - 12
Recommended skid steer loader*	ton	4,5 - 6	4,5 - 6	5 - 7	6 - 8
Weight	ton	0,95	0,98	1,45	1,50
Load capacity	m <sup>3</sup>	0,19	0,20	0,35	0,43
Pressure	bar	200 - 250	200 - 250	200 - 280	200 - 280
Back pressure	bar	< 10	< 10	< 10	< 10
Oil flow rate**	l/min	95 - 120	98 - 150	110 - 200	120 - 200
Mouth width	mm	790	800	1180	1185
Mouth height	mm	250	250	280	280
Size A	mm	1230	1530	1630	2030
Size B	mm	1230	1230	1300	1435
Size C	mm	800	800	835	835
		PRODUCTIVITY			
OUTPUT ADJUSTMENT					
15 mm	m <sup>3</sup> /h	6	8	9	10
20 mm	m <sup>3</sup> /h	7	9	10,2	11,3
30 mm	m <sup>3</sup> /h	9	11	12,7	14
40 mm	m <sup>3</sup> /h	11	13	15,1	16,7
50 mm	m <sup>3</sup> /h	13	15	17,6	19,3
60 mm	m <sup>3</sup> /h	14	16	20	22

\* Please verify machine's Rated Operating Capacity.

\*\* The minimum hydraulic flow rate value must be alongside the required operating pressure.

To obtain the values in ton/h, multiply the data listed in the table by the specific weight of your material. Indicative values only, estimated with the medium toughness of the materials.

# MB SCREENING BUCKETS



FOR EXCAVATORS,  
BACKHOES AND  
LOADERS

6 - 50 ton

FIND OUT MORE



## OPTIMAL SIZE

designed to pick up and process material with ease.



## CHANGE SCREENING PANELS

quick and easy.



## LOADING STRAIN CONTROL SYSTEM

A device that reduces stress on the machine while loading material.



## MAINTENANCE

simple, fast, and centralized.



## HIGH PRODUCTION

Thanks to the cone-shaped basket depth and size.

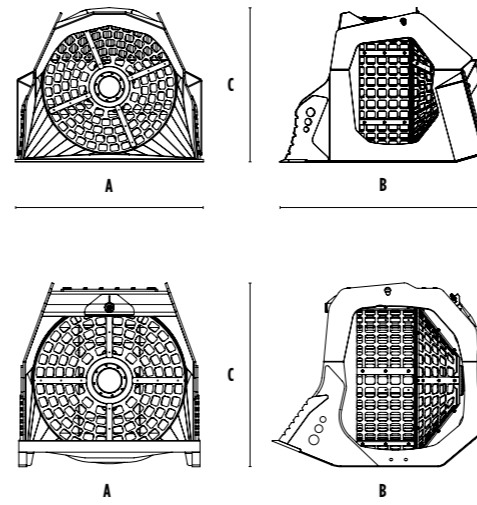
Installed on the carrier machine, MB screening buckets are the ideal tool to select and screen inert material, both before and after the crushing phase. Crucial in all situations where different size materials are necessary.



## APPLICATION AREAS



## DIMENSIONS



## MODELS



	UNITS	MB-LS170 S2	MB-LS220 S2	MB-S10 S4	MB-S14 S4	MB-S18 S4	MB-S23
Recommended excavator	ton	-	-	6 - 9	9 - 20	20 - 35	35 - 50
Recommended backhoe loader	ton	8 - 15	-	8 - 9*	-	-	-
Recommended loader**	ton	8 - 15	15 - 25	-	-	-	-
Weight	ton	1,45	2,80	0,41	1,10	2,00	3,66
Load capacity	m <sup>3</sup>	1,10	2,40	0,32	1,10	2,40	3,75
Pressure	bar	160 - 200	200 - 250	130 - 150	150 - 200	200 - 250	320 - 350
Back pressure	bar	< 20	< 20	< 20	< 20	< 20	< 5
Oil flow rate***	l/min	80 - 100	120 - 140	40 - 60	60 - 80	120 - 140	160 - 180
Basket diameter	mm	1200	1600	800	1200	1600	1970
Basket depth	mm	900	1225	555	900	1225	1490
Size A	mm	1670	2180	950	1400	1840	2320
Size B	mm	1930	2355	1220	1700	2260	2840
Size C	mm	1360	1790	1010	1440	1870	2350

\* Rear.  
\*\* Please verify machine's Rated Operating Capacity.  
\*\*\* The minimum hydraulic flow rate value must be alongside the required operating pressure.

## ACCESSORIES

24 MONTH WARRANTY



HOURLY METER



BASKET PROTECTION KIT



DUST SUPPRESSION KIT



# MB SHAFTS SCREENERS



FOR EXCAVATORS,  
BACKHOES, LOADERS  
AND SKID STEERS

1,3 - 45 ton

FIND OUT MORE



## EASY MAINTENANCE

Simple, fast,  
and centralized  
maintenance.



## HIGH PRODUCTION

The optimal design and  
large loading volume  
ensures high and optimal  
production rates.



## MODERATE NOISE EMISSIONS

The frame is  
designed to  
minimize noise  
and vibration.



## SHAFTS REPLACEMENT SYSTEM

The process to  
replace the shafts  
can be executed  
directly on site  
simply and safely.



## AUTOMATIC HYDRAULIC BUFFER SYSTEM

to protect the engine  
and transmission.

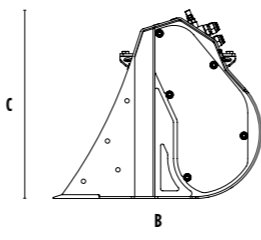
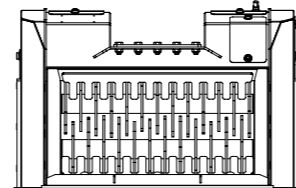
Installed on the carrier  
machine, they select  
materials directly on site.  
Ideal for large and small  
construction sites.  
Thanks to the rotating shaft  
kits that can be replaced  
right on the job site, you can  
process different material  
whenever you need to.



## APPLICATION AREAS



## DIMENSIONS



## MODELS

	UNITS	MB-HDS207	MB-HDS307	MB-HDS212	MB-HDS312	MB-HDS214	MB-HDS220	MB-HDS412	MB-HDS314	MB-HDS320	MB-HDS323	MB-HDS523
Recommended excavator	ton	1,3 - 2,8	2,5 - 5	5 - 10	7 - 11	9 - 13	-	10 - 14	13 - 20	18 - 24	22 - 35	30 - 45
Recommended backhoe loader/loader**	ton	-	-	8 - 9*	-	8 - 13	7 - 11	-	9 - 14	11 - 14	12 - 16	-
Recommended skid steer loader**	ton	-	-	3 - 4	-	4 - 10	4,5 - 10	-	-	-	-	-
Weight	ton	0,098	0,17	0,48	0,72	0,82	1,00	1,20	1,40	2,10	2,40	3,35
Load capacity	m <sup>3</sup>	0,05	0,08	0,15	0,35	0,40	0,60	0,55	0,90	1,35	1,65	2,00
Pressure	bar	200 - 220	200 - 220	200 - 250	200 - 250	200 - 250	230 - 280	230 - 280	230 - 280	250 - 300	250 - 300	250 - 300
Oil flow rate***	l/min	25 - 35	25 - 35	75 - 100	75 - 100	75 - 120	90 - 150	90 - 150	100 - 160	120 - 160	120 - 160	230 - 250
Size A	mm	740	760	1220	1235	1380	2220	1250	1430	2050	2330	2330
Size B	mm	545	700	815	985	1125	1060	1220	1350	1350	1500	1500
Size C	mm	495	595	710	880	950	890	1110	1250	1250	1250	1620

\*Rear.  
\*\* Please verify machine's Rated Operating Capacity.  
\*\*\* The minimum hydraulic flow rate value must be alongside the required operating pressure.

## ACCESSORIES

24 MONTH WARRANTY



LOAD CAPACITY INCREASE KIT\*



SHAFT HOLDER



SHAFT KIT

PAGE 20

\*available only for MB-HDS207 model

# MB DRUM CUTTERS



FOR EXCAVATORS  
AND SKID STEER  
LOADERS

3,5 - 35 ton

FIND OUT MORE



## REPLACING THE DRUMS

The drum heads can be replaced directly on the job site.

Ideal for applications that require you to grind compact materials efficiently and accurately. They are the only drum cutters on the market that feature the Direct Drive Twin Motor System, which distributes the force of two drums according to the power required.



## SUBMERSION

Suitable for **underwater** work.



## LESS VIBRATION

Equipped with the **no torsion system** that reduces transverse stress on the arm of the excavator.



## RELIABLE

Devices available to reduce the excavator's oil temperature during heavy use.



## STRONGER

Equipped with **power boost** to evenly distribute the power to the rotary cutter that needs more force.



## DURABLE

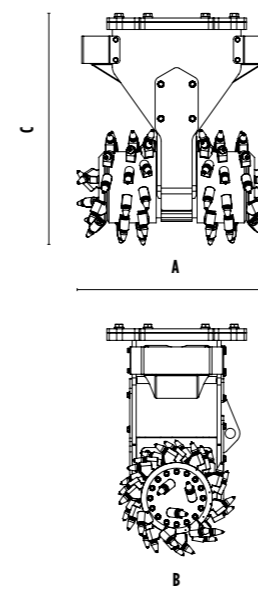
Equipped with **wear-resistant plates** to protect the central body.



## APPLICATION AREAS



## DIMENSIONS



## MODELS

	UNITS	MB-R500	MB-R700	MB-R800	MB-R900
Recommended excavator	ton	3,5 - 11	6 - 13	10 - 22	19 - 35
Recommended skid steer loader*	ton	3,5 - 6	6 - 10	-	-
Weight	ton	0,30	0,60	1,00	1,40
Cutting width	mm	450	890	1015	1130
Pick force	N	19600	19600	33900	40000
Speed/Min. (minimum - maximum)	rpm	80 - 120	80 - 110	60 - 80	60 - 80
Output torque	Nm	5000	5000	10000	13200
Pressure	bar	300 - 350	300 - 350	300 - 350	300 - 350
Back pressure	bar	< 4	< 4	< 4	< 4
Oil flow rate**	l/min	60 - 120	110 - 180	200 - 300	250 - 350
Drum diameter	mm	500	500	600	680
Size A	mm	500	895	1015	1130
Size B	mm	500	500	600	680
Size C	mm	820	930	1120	1375

\* Please verify machine's Rated Operating Capacity.  
\*\* The minimum hydraulic flow rate value must be alongside the required operating pressure.

## OPTIONAL ACCESSORIES

24 MONTH WARRANTY



INTERCHANGEABLE DRUM KIT (LOW-SET / FULL-SET)



ROCK AND ASPHALT PICK KITS



DUST SUPPRESSION KIT



DRUM COVER KIT\*\*



CUTTING DEPTH ADJUSTMENT KIT\*\*



\*CUTTER BODY ROTARION KIT\*\*  
\*needs rotation system



POWER TRANSMISSION KIT\*\*



\*\*only available for MB-R500 model

# SORTING GRAPPLES MB



FOR EXCAVATORS

1,3 - 30 ton

FIND OUT MORE



## COUPLING SYSTEM

Inclined coupling system increases the attachment's reach.



## SAFE

Equipped with a **safety valve** that prevents the claws opening in case of pressure loss.



## LOW NOISE EMISSIONS

thanks to the silent blocks.



## REPLACEABLE BLADES

The reversible and double-sided blades can be replaced on site.



## ACCESSORIES

Equipped with accessories that allow the grapples to be utilized on various application areas.

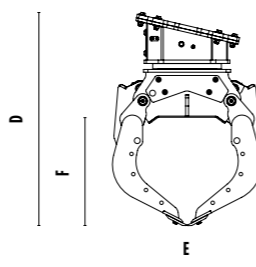
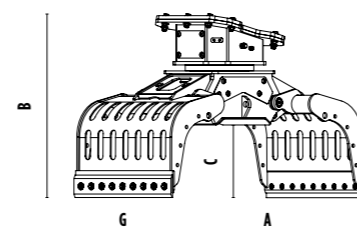
Designed to select and handle any type of solid material. Thanks to the interchangeable claws and the 360° rotation, the grapples can handle large loads and odd shapes.



## AREAS OF APPLICATION



## DIMENSIONS



## MODELS



	UNITÀ	MB-G350 S4	MB-G400 S4	MB-G450 S4	MB-G500 S4	MB-G600 S4	MB-G900 S4	MB-G1000 S4	MB-G1200 S4	MB-G1500 S4
Recommended excavator	ton	1,3 - 2,6	2,4 - 4	3,5 - 5,5	5 - 7	6 - 12	12 - 18	18 - 25	18 - 30	20 - 30
Weight	ton	0,085	0,200	0,288	0,420	0,67	0,78	1,62	1,65	2,05
Capacity (claws closed)	m <sup>3</sup>	0,03	0,07	0,10	0,18	0,29	0,43	0,44	0,71	1,43
Rotation	Degree	360°	360°	360°	360°	360°	360°	360°	360°	360°
Oil pressure (rotation)	bar	130 - 170	130 - 170	150 - 200	160 - 200	160 - 200	160 - 220	200 - 250	200 - 250	200 - 250
Oil flow rate (rotation)	l/min	5 - 10	8 - 12	10 - 20	15 - 25	25 - 35	25 - 35	60 - 80	30 - 40	30 - 40
Maximum oil pressure (opening - closing)	bar	180 - 220	180 - 220	180 - 220	180 - 250	250 - 300	300 - 350	300 - 350	300 - 350	300 - 350
Maximum oil flow rate (opening - closing)	l/min	15 - 20	20 - 25	20 - 30	30 - 40	50 - 60	60 - 70	70 - 90	70 - 90	70 - 90
Size A	mm	795	1050	1300	1500	1860	1860	1810	2115	2475
Size B	mm	570	780	865	980	1175	1175	1385	1450	1700
Size C	mm	233	330	425	415	540	540	525	590	810
Size D	mm	615	825	960	1095	1380	1380	1500	1670	2000
Size E	mm	490	675	770	855	1000	1000	1170	1185	1365
Size F	mm	283	375	520	530	740	740	640	810	1110
Size G	mm	350	400	475	555	650	930	1015	1235	1535

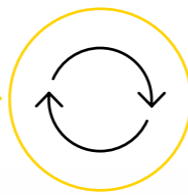
ACCESSORIES

PAGE 21

# SHAFT KIT

FOR SHAFT SCREENERS Page 14-15

SHAFTS EASILY  
REPLACEABLE ON SITE



## RQ8/RQ15/RQ20/RQ50 SIFTING KIT

**ADJUSTMENT\*** 8/15/20/50 mm

**APPLICATION** Sifting damp/dry soil  
Soil aeration



## RM MIXER KIT

**APPLICATION** Soil Aeration  
Compost Aeration  
Charcoal reduction  
Glass reduction  
Drywall reduction



## RC COMPOST KIT

**ADJUSTMENT\*** 36,5 mm

**APPLICATION** Shredding foliage  
and small branches  
Composting

## RE8/RE16 FINE SIFTING KIT

**ADJUSTMENT\*** 8,5/16 mm

**APPLICATION** Sifting damp/dry soil

\* Shafts in closed position.

# ACCESSORIES

Page 18-19 FOR SORTING GRAPPLES

## ELECTRICAL KIT (FOR 2 HOSE FUNCTIONALITY) 12 V

Utilize the 360° rotation even with excavators that only have two hoses.



## REMOTE POWER CONTROL SYSTEM

Managing the claws' closing force directly from the cabin.



## SERRATED SIDE PLATE KIT

For handling material of particular shapes.



## ROTATION POWER EXTENDER KIT

To duplicate the grapple's rotational force and allow you to handle heavy materials with ease.



## MULTI-PURPOSE BLADE KIT

For handling material of particular shapes.



## 24 MONTH WARRANTY



## RUBBER PROTECTION KIT

For handling blocks of linear and delicate material.



## CLAM SHELL KIT

For picking up and moving small material.



## GRIP IMPROVEMENT KIT

To easily handle materials of particular weights and shapes, better grip and more control.



# SMART REMOTE CONTROL

With the **innovative MB CRUSHER** solution you are able to **keep track of the product and its conditions** of use in real time.



**SMARTER**



**SAFER AND MORE COMPETITIVE**



**EASIER TO USE**

**ONLY AVAILABLE ON SELECT MODELS**

# MB CRUSHER WORLDWIDE



## MB S.p.A. (Headquarters)

Via Astico, 30/A - 36030 Fara Vicentino (VI) Italia  
 ☎ +39 0445 308148  
 ☎ +39 0445 308179  
 ✉ info@mbrcrusher.com

## MB S.p.A. (Production)

Via Astico, 30 - 36030 Fara Vicentino (VI) Italia  
 ☎ +39 0445 308148  
 ☎ +39 0445 850335  
 ✉ info@mbrcrusher.com

## MB S.p.A. (Logistic center)

Via Astico, 34 - 36030 Fara Vicentino (VI) Italia  
 ☎ +39 0445 308148  
 ☎ +39 0445 850335  
 ✉ shipping@mbrcrusher.com



## MB FRANCE SARL

320 Rue Saint Honoré - 75001 Paris (Siège social)  
 71 Rue Jean Zay - 69800 Saint Priest (Bureaux commerciaux)  
 ☎ 0800907761  
 ☎ +33 04 26074292  
 ✉ info@mbfrance.fr



## MB CRUSHER INDIA PVT. LTD.

Office No. C, 1st Floor, D Building, MBC Park,  
 Near Hypercity Mall, Kasarwadavali, Thane West,  
 Thane - 400615, Maharashtra  
 ☎ +91 22 4970 6759  
 ✉ info@mbrcrusher.in



## MB DEUTSCHLAND GMBH

Linprunstraße 49, D-80335 München (Hauptsitz)  
 Im Greut 10, 72406 Bisingen (Zentrallager)  
 ☎ 08007237174  
 ☎ +49 (0) 74789290529  
 ✉ info@mbrcrusher.de



## MB SHANGHAI 磨宝商贸(上海)有限公司

中国(上海)自由贸易试验区德堡路38号2幢三层311-21室  
 ☎ +86 21 543 76037  
 ✉ info@mbrcrusher.cn



## MB RUS 000 «МБ РУС»

127030, Г. МОСКВА, УЛ. СУЩЕВСКАЯ, Д. 21, ЭТАЖ 5,  
 ПОМЕЩ./ОФИС 1/502 (головной офис)  
 620049, Екатеринбург, пер. Автоматики, Д.3  
 (обособленное подразделение)  
 ☎ 8-800-100-94-37  
 ✉ info@mbrcrusher.ru



## MB CRUSHER DO BRASIL Comercio de equipamentos Ltda

Av. Paulista, 2006 Cj 410-01310-200  
 São Paulo SP Brasil  
 ☎ +55 11 9830 66555  
 ✉ info@mbrcrusher.com.br



## MB AMERICA, INC.

8730 Technology Way, Reno, NV, 89521 (Headquarters)  
 1203 E. Mountain St., Kernersville, NC, 27284 (Branch Office)  
 ☎ 855 MB CRUSH (855 622 7874)  
 ☎ 775 853 1058 (Headquarters)  
 ☎ 336 663 6373 (Branch Office)  
 ☎ 775 455 4196  
 ✉ info@mbamerica.com



## MB JAPAN 株式会社

〒352-0023 埼玉県新座市堀ノ内1-5-35 (新座本社)  
 〒650-0024 兵庫県神戸市中央区海岸通5  
 商船三井ビル617 (神戸オフィス)  
 ☎ 048-423-2298 (新座本社)  
 ☎ 078-381-5960 (神戸オフィス)  
 ☎ 048-611-7865  
 ✉ info@mbrcrusher.jp



COMPANY WITH  
QUALITY SYSTEM  
CERTIFIED BY DNV GL  
= ISO 9001:2015 =

**HARDOX**<sup>®</sup>

**WELD**  
ORGANISMO DI CERTIFICAZIONE  
SALDATORI QUALIFICATI  
ISO 9606-1



**MBCRUSHER.COM**

